



HUDSON® X-Pert®

**3 and 4 gallon WHO -
Specification (World
Health Organization)
Professional Sprayer**

**YEARS OF PROVEN
DURABILITY, UNIFORMITY
AND PERFORMANCE IN
DISEASE VECTOR
CONTROL**

Fully meet field operational requirements for manually operated compression sprayers used in global and national disease vector control programs. Comply with World Health Organization specifications.

Specially engineered and built to meet the precise and standardized application procedures used in residual pesticide application for malaria control.

Meet the test of constant use in the most rigorous and demanding conditions. Provide maximum use life and reliability.

Reputation for trouble-free performance. Critical service parts are interchangeable, regardless of year of manufacture, contributing to uninterrupted vector control programs. This assures optimum cost/benefit with less downtime, less maintenance costs.

Materials used in construction are proven through extensive laboratory testing and extended field use to assure durability and reliability.

Choice of 11 models, all in high quality chromium-nickel stainless steel. 11.3 and 15.1 liter (3-and 4-gallon) capacities.

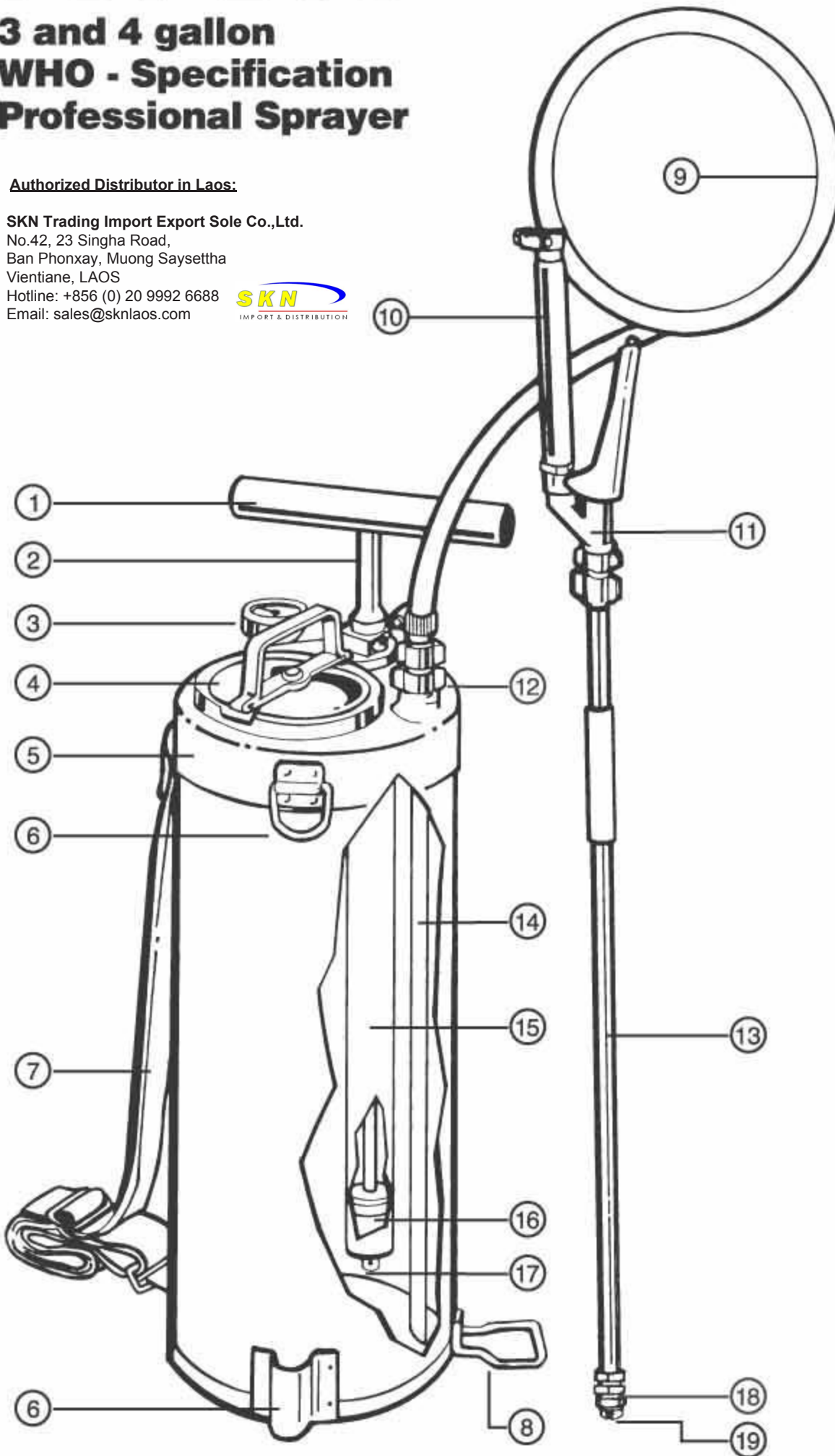
HUDSON®

X-Pert®

3 and 4 gallon WHO - Specification Professional Sprayer

Authorized Distributor in Laos:

SKN Trading Import Export Sole Co., Ltd.
No.42, 23 Singha Road,
Ban Phonxay, Muong Saysettha
Vientiane, LAOS
Hotline: +856 (0) 20 9992 6688
Email: sales@sknlaos.com



- 1. Handle** T-handle is extra big for easy, comfortable, 2-hand pumping. Epoxy-coated galvanized tubular steel cylinder. Lock holds plunger shaft in place for carrying.
- 2. Plunger Shaft** Zinc-coated cold rolled steel tubing, 16 mm (5/8 in.) in diameter. Bumper pads at top and bumper at bottom of pump stroke minimize impact shock while pumping.
- 3. Pressure Gauge** Scale reads from 0 to 750 kPa (0-102 psi). Operational pressure range of 172 kPa to 379 kPa (25 to 55 psi) is clearly marked.
- 4. Opening and Seal** Large 120.65 mm x 95.25 mm (4-3/4 in. x 3-3/4 in.) opening - easy to fill, empty and clean tank. Simplex Inner-Seal® cover seals inside the tank - the higher the pressure, the tighter the seal. Cannot be opened under pressure; positive action valve pressure release on cover releases when handle is moved to open position. Cover gasket is made of corrosion-resistant Buna-N compound. Pump is separate, no need to remove except to service.
- 5. Tank** Tank is high quality chromium nickel stainless steel, electricarc welded. Tank withstands internal pressure up to twice the maximum recommended working pressure without leakage. Working pressure: 172 kPa - 379 kPa (25 psi - 55 psi).
- 6. Loop and Cup** Hold discharge set; cup protects nozzle.
- 7. Shoulder Strap** Heavy-duty woven polypropylene web is 51 mm. (2 in.) wide, 3 mm (1/8 in.) thick and adjusts in length for comfort and long service. Wide spring steel clips attach to extra-strong loops.
- 8. Foot Rest** Provides balance and leverage for easier pumping.
- 9. Hose** Kem Oil® "250" high pressure hose with spray-resistant liner. 1524 mm (5ft.) long.
- 10. Strainer** 60-mesh nylon with molded nylon support members. Flow from outside to inside. No tools required to remove.
- 11. Thrustless Shutoff** Retractable plunger, lever actuated shut-off valve has straight-line, thrustless action for long service. Pin slides on leak-proof Teflon® * bearings. Body of brass casting. Long life O-ring seat of special fluorocarbon compound.
- 12. Shut-Off Cock** Permits you to keep pressure in the tank if you remove hose and discharge set. Available as an accessory item. (see Fig. 1)
- 13. Spray Extension** Extruded tubular brass. 508 mm (20 in.) long for 11.3 liter (3-gal.) tank; 610 mm (24 in.) long for 15.1 liter (4-gal.) tank. Provides easy reach and aim.
- 14. Supply Tube** Seamless tubular brass. Easily removable; no tools required.
- 15. Pump Cylinder** Extra-long 394 mm (15-1/2 in.), for quick pump-up. 36.5 mm (1-7/16 in.) in diameter. Extruded brass tubing cylinder withstands 1035 kPa (150 psi) pressure.
- 16. Plunger Cup** Special grade of mildew-proof leather; 2 mm (5/64 in.) thick, 36.5 mm (1-7/16 in.) in diameter, flat top end. 12.7 mm (1/2 in.) skirt length. Dura-Tach™ Plunger Cup.
- 17. Check Valve** Stainless steel spring-mounted. Self-sealing closure with a fluorocarbon compound O-ring seal.
- 18. Nozzle Flow Regulator** Maintains a relatively even discharge rate and a uniform nozzle pressure of 68.9 to 82.7 kPa (10 to 12 psi) as the tank pressure drops during spraying from 379 kPa to 172 kPa (55 to 25 psi). Assures constant flow; reduces nozzle erosion with wettable powders. Available as an accessory item. (see Fig. 2)
- 19. Nozzle** Hardened stainless steel nozzle tip. Flat fan pattern, 80° angle. Flow rate: 757 ml per minute at 276 kPa (40 psi) pressure.

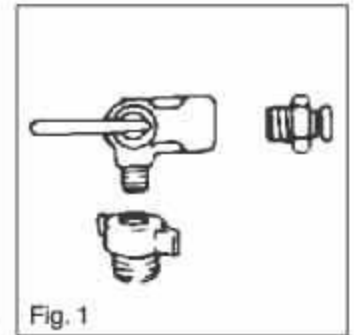


Fig. 1

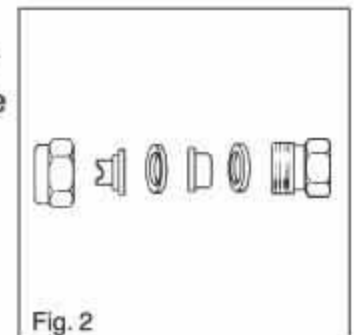


Fig. 2

CHECK THE FEATURES AND DETERMINE WHICH X-PERT SPRAYER BEST MEETS YOUR NEEDS.

11.3L* (3 Gallon)	15.1 L** (4 Gallon)	Pressure Gauge	Shutoff Cock	Nozzle Flow Regulator	Thrustless Shutoff	Strap 50 mm (2in.)	8002E HSS NOZZLE
67322AD	67422AD	X			X	X	X
67322WD	67422WD	X	X		X	X	X
67332AD	67432AD				X	X	X
67362AD	67462AD	X		X	X	X	8004E
67362WD	67462WD	X	X	X	X	X	8004E
67222AD (2 Gallon)		X			X	X	X

* Teflon is a Registered Trademark of E.I. Dupont de Nemours Company.

SIGN OF THE BEST BUY



H.D. HUDSON ASIA LIMITED
SUBSIDIARY OF H.D. HUDSON MANUFACTURING COMPANY, U.S.A.
1 SAN HOP LANE, SECOND FLOOR, TUEN MUN,
N.T. HONG KONG.
TEL: (852) 2462 1504-5 FAX: (852) 2456 3472
E-mail: hdhudson@hdhudson.com.hk
Website: <http://www.hdhudson.com/asia.html>